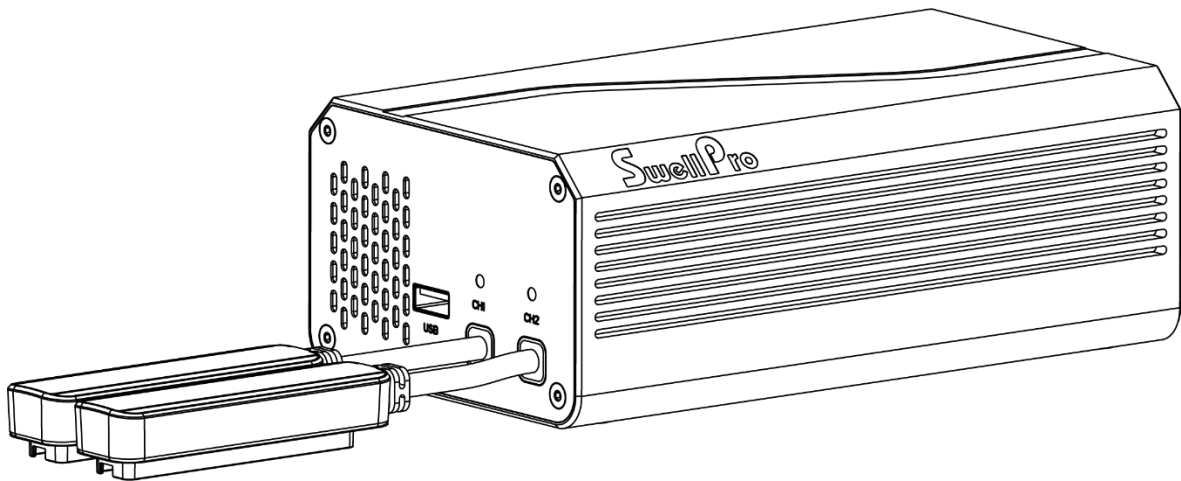


Dual Smart Charger

User Manual



SwellPro

Visit support.swellpro.com for the latest version of this manual and firmware updates for your drone and accessories.

v1.0 – November 2022

Thank You

Thank you for purchasing the Dual Smart Charger. We have designed and manufactured the Dual Smart Charger to the highest quality standards.

Like any marine equipment, long-life and trouble-free operation rely on correct care and maintenance. With proper care and maintenance, you should enjoy your drone for many years.

It is important to familiarize yourself with the features of this product by carefully reading this manual and particularly the priority sections indicated in the Table of Contents.

Visit support.swellpro.com for the latest manuals, software, and tips. Refer to the Version Information section at the end of this manual, which details additions and corrections to this manual.

Using this Manual

This document is designed to be printed or viewed on a computer or mobile device. If used electronically, you can search directly for terms like "Battery" to find references. Additionally, you can click on any topic in the Table of Contents to navigate directly to that topic.

FAQ

The user manual is the best companion while using the product. For the specific problem using the product, the FAQ can be another great resource for you to look at. Go to the SwellPro website, look for support > product support > the product > FAQ to find the FAQ page.

support.swellpro.com



Video Tutorials

Visit and subscribe to the SwellPro YouTube Channel for tutorial videos and product information. Scan this QR code with your camera phone to go to our channel.



SwellPro Community

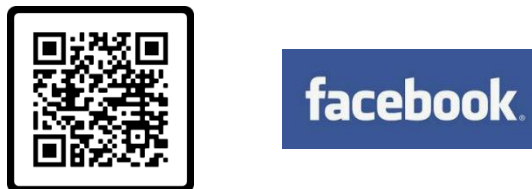
Join our exclusive SwellPro Community to post feedback and share your experience with SwellPro products with other users like you.

<https://support.swellpro.com/hc/en-us/community/topics>

Social Media

Join our Facebook page to meet other people who share their adventures with SwellPro.

www.facebook.com/swellpro/



Register Product Warranty

Please register your product on SwellPro website as soon as possible to ensure warranty coverage.

Download the DSC Connect App

Get the most from your Dual Smart Charger by downloading and using the dedicated DSC Connect App. DSC Connect allows for real-time charging monitoring (voltage, current, wattage, time until fully charged). Download the App on Google Play Store, or on the SwellPro Support website: support.swellpro.com

DSC Connect App is currently only available for Android, it's not supported for iOS devices.



DSC Connect

Content

Thank You	2
Using this Manual	2
FAQ	2
Video Tutorials	3
SwellPro Community	3
Social Media	3
Register Product Warranty	3
Download the DSC Connect App	4
Content	5
Product Overview	6
In the Box	6
Product Diagram	7
Status Light	8
Charge	9
Charge the Flight Batteries	9
Charge the Remote Controller	10
DSC Connect App	11
Connect	11
Interface	12
Battery Interface	12
Charger Interface	13
Appendix	14
Specification	14
Disclaimer and Warning	14
Version Information	15

Product Overview

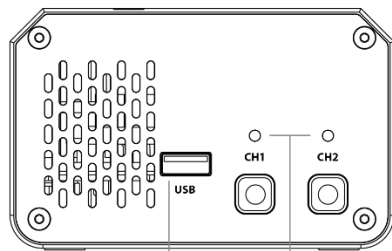
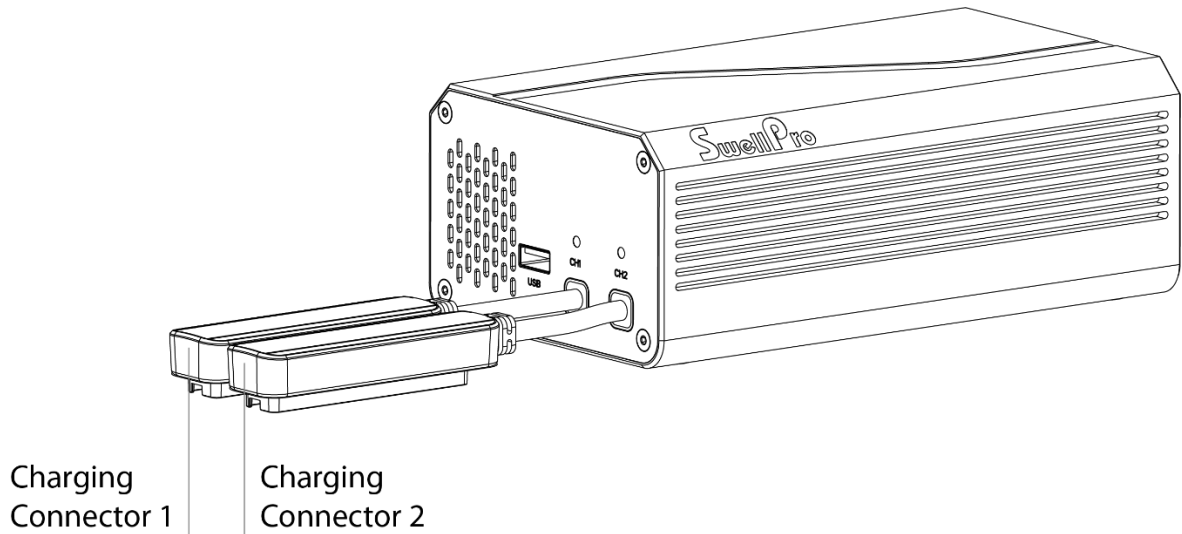
In the Box

DSC-S Dual Smart Charger x1

Power Cable x1

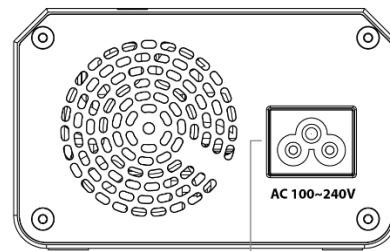
Storage Bag x1

Product Diagram



USB Port

Status Lights



Power Input

Charging Connector 1/ Charging Connector 1

Charge your flight batteries with the charging connectors.

USB Port

Charge your remote controller with USB port.

Status Light

If the light is flashing, it indicates the corresponding charging connector is not charging.
If the light is solid, it indicates the corresponding charging connector is charging.

Power Input

Plug the in-the-box power cable to the power input and the power outlet to power on the charger.

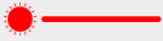
Status Light

Charging



Flash Red

Not charging / Charging Complete



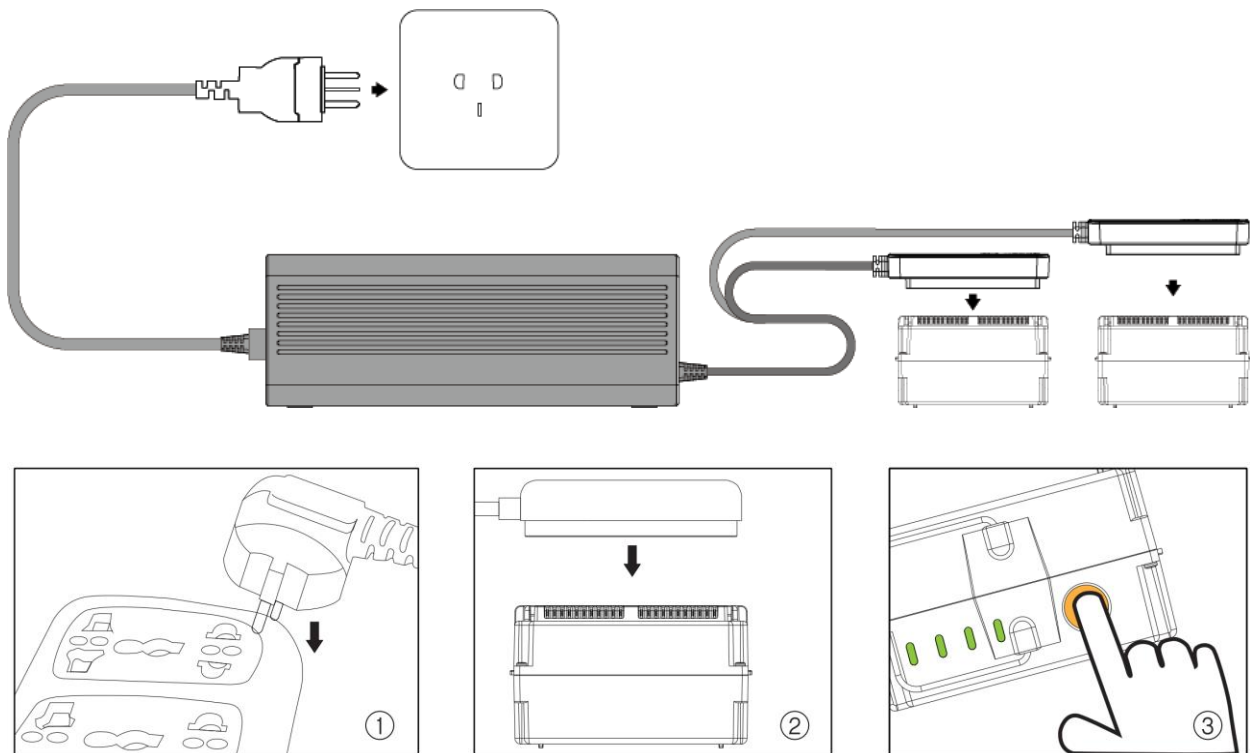
Solid Red

Charging...

Charge

Dual Smart Charge can charge two SplashDrone 4 flight batteries and a remote controller together. The flight battery can be fully charged in **60 minutes**. The remote controller can be fully charged in **3 hours**.

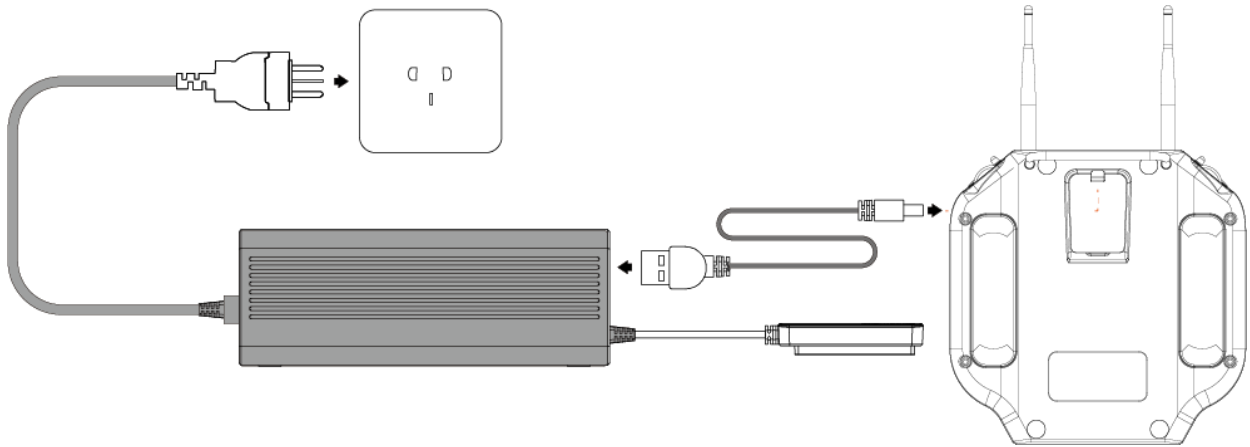
Charge the Flight Batteries



1. Plug the power cable to a power outlet.
2. Connect the charging connector to your flight battery.
3. Turn the flight battery.

The flight battery needed to be turned on for charging. (Short press the power button once, then long press for 3 seconds.)

Charge the Remote Controller



Connect the remote controller to the charger using the in-the-box USB charging cable.
Remote Controller can also be charged using 5V/2A USB adapter.

DSC Connect App

DSC Connect allows for real-time charging monitoring (voltage, current, wattage, time until fully charged). Download the App on the SwellPro Support website:

support.swellpro.com

DSC Connect App is currently only available for Android, it's not supported for iOS devices.

Connect



Power on the charger by plugging the charger to a power outlet.



Go to your phone's Bluetooth setting, connect the charger's Bluetooth **X-Charger-xxxxxx**.



You are now ready to use the DSC Connect App.

Interface

Battery Interface

Disconnect

Tap to disconnect the charger

Disconnect

DSC Connect

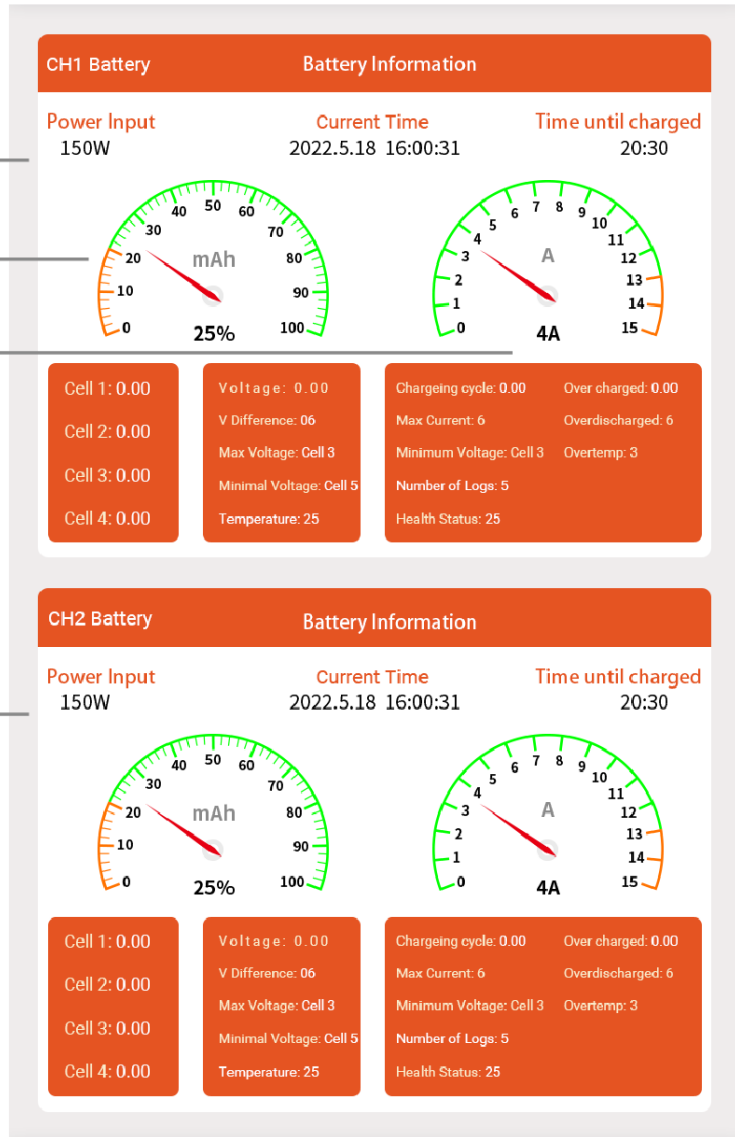
CH1 Battery Information

Have a glance of the battery's info and charging status

Battery Capacity

Charging Current

CH2 Battery Information



Battery



Charger

Charger Interface

Charger Information

Have a glance of the charger's info and charging status

Disconnect

DSC Connect

Charger Status

Normal

Charger Status

Temperature	CH1	CH2
	25°C	25°C
Charging Current:		10.0A
Cut-off Voltage:		16.8V
Cut-off Current:		300mA
Vent Capacity:		70%
Safe Charging Time:		90 minutes



Battery



Charger

Appendix

Specification

DSC-S Dual Smart Charger	
Input	100 to 240V, 47 to 63Hz
Output	CH1: 16.9V/10A CH2: 16.9V/10A USB: 5V/2A Max power: 350W
Protection	Protect for undervoltage, overvoltage, overload, short-circuit, overtemperature, overcurrent, overtime, overcapacity.
Wireless	Bluetooth
Size	Length: 18 cm; Width: 10.5 cm; Height: 6 cm
Cable	Power cable: 1.2 m Charging cable: 0.5 m
Weight	1.085 kg (2.39 pounds)
Operating Condition	Operating temperature: 0°C to 40°C Storage temperature: -10°C to 60°C
App Features (DSC Connect)	Realtime Charging Monitoring (voltage, current, wattage, time until fully charged)

Disclaimer and Warning

This product is not a toy and should only be operated by persons over the age of 18. Please keep it out of reach of children and pay particular attention to the possible scenarios of children unexpectedly Appearing during flight operations.

Be sure to read this document carefully before using the product, to fully understand your legal rights, responsibilities, and safety instructions. Failure to do so may cause property damage, accidents, and personal injury. Once this product is used, it is deemed that you have understood, recognized, and have accepted all the terms and conditions of this statement.

The user is responsible for all the consequences of his actions and the use of the product. The user agrees to use the product for his sole & legal purpose and agrees with the terms & conditions of this agreement, and other relevant policies & guidelines that may be specified by SwellPro.

Under the maximum permitted by law and Approved circumstances, SwellPro accepts no liability for any indirect, punitive, consequential, special, or criminal damages, including the purchase cost, or loss of income due to the loss of use of the drone.

SwellPro is exempt from the user's liabilities for damage(s) to person/s or property, or injuries incurred directly or indirectly from the use of this product in the following conditions:

Damage or injuries incurred when the user/s are under the influence of alcohol, drugs, or medication.

Any malfunction caused by operators' failure to follow the guidance of the manual to assemble and set up or operate the drone as described and designed.

Damage or injuries may occur due to failure to study the tutorial videos and the user manual before flying the drone.

Damage or injuries caused to a person/s or property due to failure in correctly calibrating the drone as outlined in the manual before the flight.

Damage or injuries incurred as a result of the use or installation of any unauthorized third-party accessories or counterfeit parts - which were not provided and Approved of by SwellPro.

Other Damage(s) or injuries that are not SwellPro's liability.

Version Information

SwellPro products are constantly improving, so as the product user manual. It is recommended to visit support.swellpro.com to check and download the latest user guide.

Version

1.0 DSC-S Dual Smart Charger User Manual 1.0 Edition