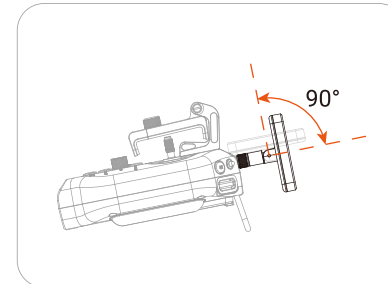
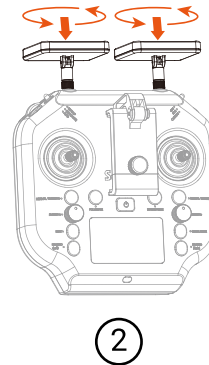
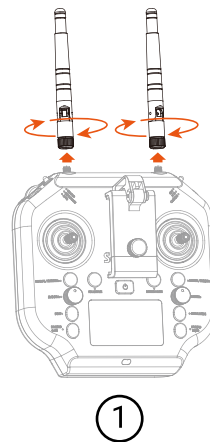


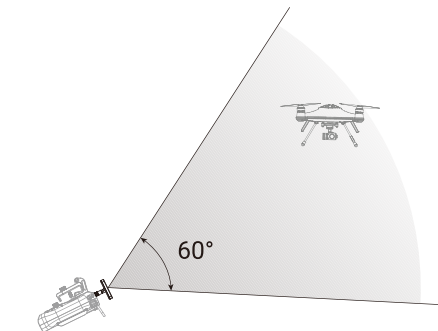
Patch Antenna Quick Start Guide

Patch antenna offers high-gain signal transmission allows for better reception. **Switch to patch antenna when you experience frequent signal interruption.** Check the "Antenna" section on the SplashDrone 4 Use Manual for more info.

Install



Use



Always point the patch antenna to the aircraft. Any angle greater than 60° can cause signal interruption.



"Signal Interrupt" will prompt up on the remote controller if the transmission signal is weak. Adjust the angle to the aircraft to make sure the aircraft is in optimal transmission range.

Be aware of surrounding wireless devices or metal objects, as they will affect the transmission signal stability.

Ensure to power off the remote controller before removing or installing the antenna.

Ensure to tighten the antenna to prevent water ingress while using.